

Piezoelectric Transducers & Sensors

DUNU-16AA

Transducer for Ultrasonic Humidifier



FEATURES

- Stainless steel face
- Long life
- Quick and easy replacement
- Silicone rubber packaging

APPLICATIONS

- Ultrasonic humidifier
- Industrial humidifier
- Medical nebulizer

Specification

Item	Specification	TEST CONDITION
Resonant frequency	1.67MHz \pm 0.1MHz	Thickness mode $V_{in}=1V_{rms}$ fr: resonant frequency fa: anti-resonant frequency
Resonant impedance	5 Ω max.	
(fa-fr) / fr	0.12min.	Radial mode $V_{in}=1V_{rms}$
Static capacitance	1400 pF \pm 15%	1kHz, 1Vrms, 25°C
Mist output	300 \pm 50 cc/hr	Water temperature:25°C Water level:38mm
Life time	5000hr min	Standard circuit, Pin=25W

Piezoelectric Transducers & Sensors

DUNU-24AA

Transducer for Ultrasonic Humidifier



FEATURES

- Stainless steel face
- Long life
- Quick and easy replacement
- Silicone rubber packaging

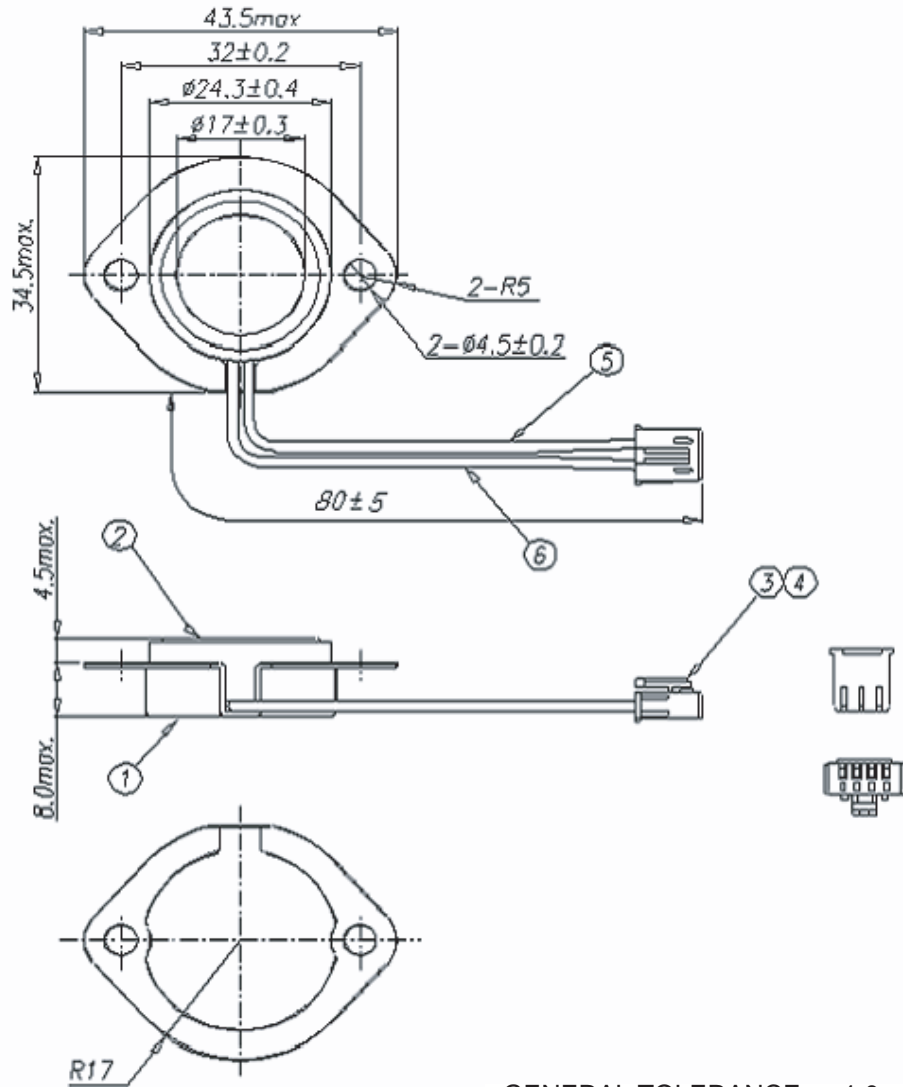
APPLICATIONS

- Ultrasonic humidifier
- Industrial humidifier
- Medical nebulizer

Specification

Item	Specification	TEST CONDITION
Resonant frequency	2.4 MHz \pm 0.1MHz	Thickness mode Vin=1Vrms fr: resonant frequency fa: anti-resonant frequency
Resonant impedance	3 Ω max.	
(fa-fr) / fr	0.12min.	Radial mode Vin=1Vrms
Static capacitance	2400 pF \pm 15%	1kHz, 1Vrms, 25°C
Mist output	300 \pm 50 cc/hr	Water temperature:25°C Water level:38mm
Life time	5000hr min	Standard circuit, Pin=25W

Shapes and Dimensions



No.	NAME	Q'TY	DESCRNION	REMARKS
1	CASE BRACKET	1	SCP	DIT
2	RUBBER PACKING	1	Silicone	DIT
3	HOUSING	1	SMH250-03	YEONHO
4	TERMINAL	2	YST250	YEONHO
5	PVC WIRE	1	UL 1007 AWG#24(YELL)	KDK or DAE YOUNG
6	PVC WIRE	1	UL 1007 AWG#24(ORG)	KDK or DAE YOUNG