

EMI/EMC FILTER

IM/IL SERIES



FEATURES

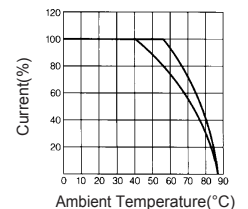
- Ideally suited for products that must conform to part 15, FCC regulations.
- Metal cased miniature type with high performance.
- Meet over voltage category II of IEC 60664 and comply with IEC 60950.
- Uses IEC connector that meets the safety standards of virtually all certifying organizations.
- PCB mounting type for small space and economical installation.
- Short length and under tab for small space.

APPLICATIONS

- Digital equipments.
- Personal computers and peripherals.
- Measuring instruments.
- For use in miniature equipments.
- For monitors and display units.

SPECIFICATIONS

Model	Rated Voltage (AC,DC)	Rated Current	Leakage Current (250V AC)	Temperature Rise	Operating Temperature
IM/IL-(N)01***	250V	1A	-	30°C max.	-25°C to + 85°C Including temperature rise
IM/IL-(N)02***	250V	2A	-	30°C max.	
IM/IL-(N/L)03***	250V	3A	-	30°C max.	
IM/IL-(N)06***	250V	6A	-	45°C max.	
IM/IL-(N)L10***	250V	10A	-	45°C max.	
IM/IL-(N/L)***0**	-	*	0.01mA max.	-	
IM/IL-(N/L)***C**	-	*	0.075mA max.	-	
IM/IL-(N/L)***D**	-	*	0.10mA max.	-	
IM/IL-(N/L)***E**	-	*	0.20mA max.	-	
IM/IL-(N/L)***1**	-	*	0.25mA max.	-	
IM/IL-(N/L)***2**	-	*	0.35mA max.	-	
IM/IL-(N/L)***3**	-	*	0.50mA max.	-	



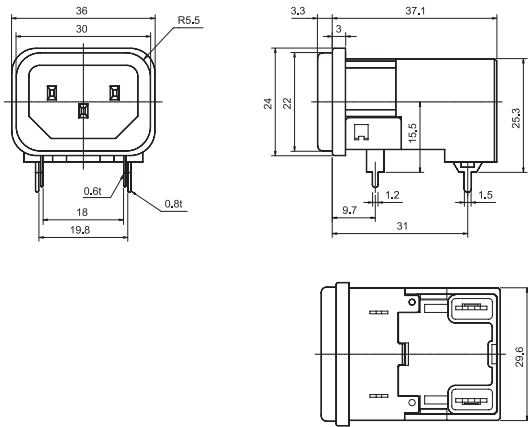
Note :
 Test Voltage : 1500V AC one minute line to earth.
 Insulation Resistance : 300 Mohm min, at 500V DC.
 Voltage Drop : 1V max. at rated current.
 Weight : 30g
 Inlet : Compatible with IEC-60320

Model Number Construction

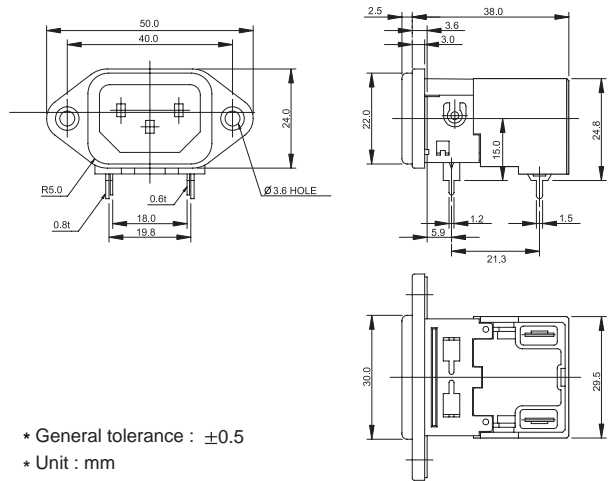
I	M	03	4	2	P
Input Connector I : IEC Connector	Special Design M : PCB Mounting Plastic Case L : Screw and PCB Mounting Plastic Case	Current Rating:AC rms 01,N01 : 1amp 02,N02 : 2amp 03,N03,L03 : 3amp 06,N06 : 6amp L10,N10 : 10amp ("L","N" high performance)	Line-Line Cap. Value 2 : 0.022 μ F 4 : 0.047 μ F A : 0.1 μ F B : 0.15 μ F	Line-Gnd Cap. Value 2 : 2200 pF 3 : 3300 pF C : 330 pF D : 470 pF E : 1000 pF 0 : None	Output Terminal Style P : PCB Pin

Shapes and Dimensions

* IM Series



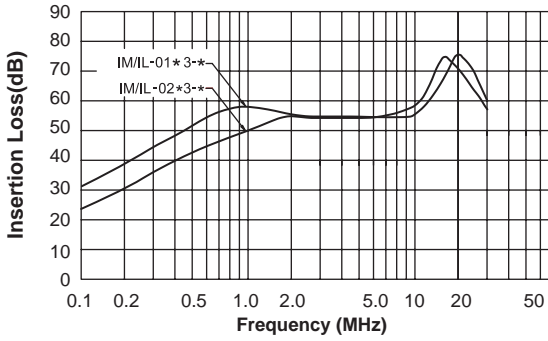
* IL Series



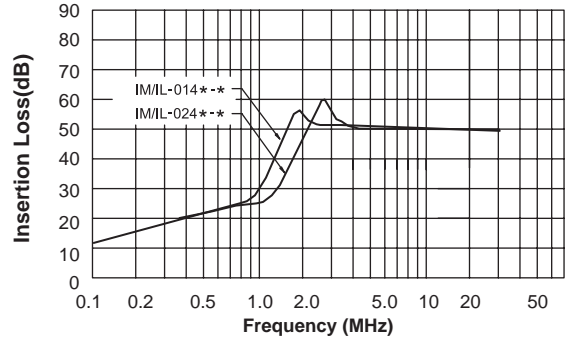
* General tolerance : ± 0.5
* Unit : mm

Attenuation Characteristics

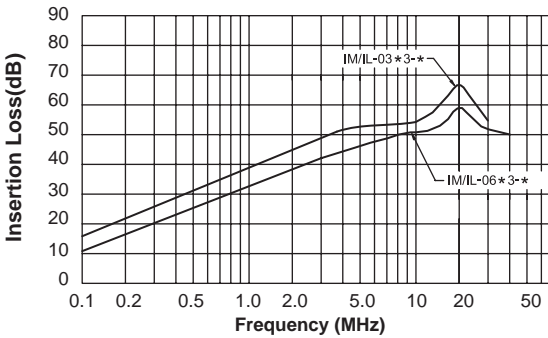
● Common Mode (IM/IL-(N)01/02*3**)



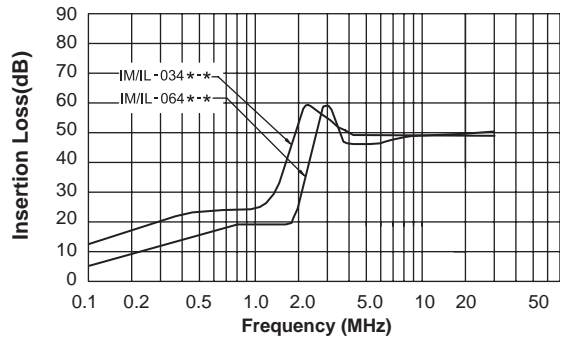
● Differential Mode (IM/IL-(N)**2/3/4**)



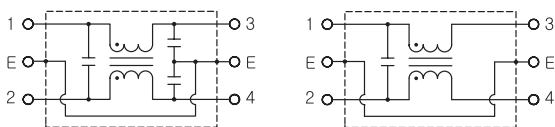
● Common Mode (IM/IL-(N)03/06*3**)



● Differential Mode (IM/IL-(N)**A/B**)



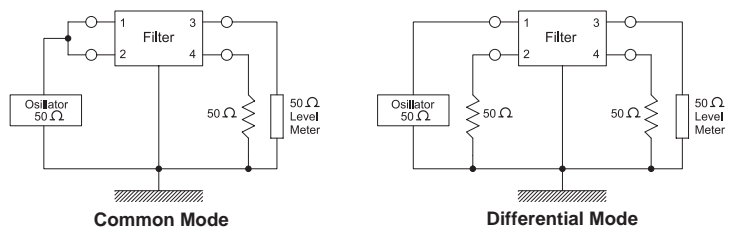
● Circuit Diagram



IM/IL-**** type

IM/IL-****0* type

● Measurement configuration



Common Mode

Differential Mode