

EMI/EMC FILTER

IS SERIES



FEATURES

- A fuse holder with double fuse and power ON/OFF switch.
- Suitable for the products that must conform to FCC, FTZ.
- Good shield effect by using metal case.
- Meet over voltage category II of IEC 60664 and comply with IEC 60950.
- Uses IEC connector that meets the safety standards of virtually all certifying organization.

APPLICATIONS

- Digital equipments.
- Measuring and testing instruments.
- Communication equipment.

SPECIFICATIONS

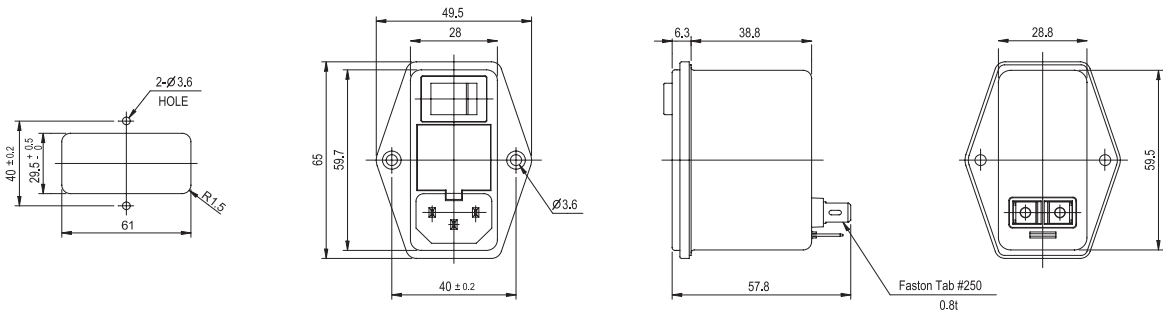
Model	Rated Voltage (AC,DC)	Rated Current	Leakage Current (250V AC)	Temperature Rise	Operating Temperature
IS-02**H*	250V	2A	-	40°C max.	-25°C to + 85°C Including temperature rise
IS-04**H*	250V	4A	-	45°C max.	
IS-06**H*	250V	6A	-	45°C max.	
IS-***0-H*	-	*	0.01mA max.	-	
IS-***C-H*	-	*	0.075mA max.	-	
IS-***D-H*	-	*	0.10mA max.	-	
IS-***2-H*	-	*	0.35mA max.	-	
IS-***3-H*	-	*	0.50mA max.	-	

Note : Test Voltage : 1500V AC one minute line to earth.
 Insulation Resistance : 300 Mohm min, at 500V DC.
 Voltage Drop : 1V max. at rated current.
 Weight : 130g
 Inlet : Compatible with IEC-60320

Model Number Construction

I	S	02	4	2	H	0
Input Connector I : IEC Connector	Special Design S : Screw Mounting/ With Double Pole Switch and Double Fuse	Current Rating : AC rms 02 : 2amp 04 : 4amp 06 : 6amp	Line-Line Cap.Value (Input side) 1 : 0.1 μ F 2 : 0.22 μ F 4 : 0.47 μ F	Line-Gnd Cap.Value 2 : 2200 pF 3 : 3300 pF C : 330 pF D : 470 pF 0 : None	Output Terminal style H : Faston Tab #250	Line-Line Cap.Value (Output side) 0 : None 2 : 0.22 μ F

Shapes and Dimensions



* Panel Cutout dimensions (mount from frontside)

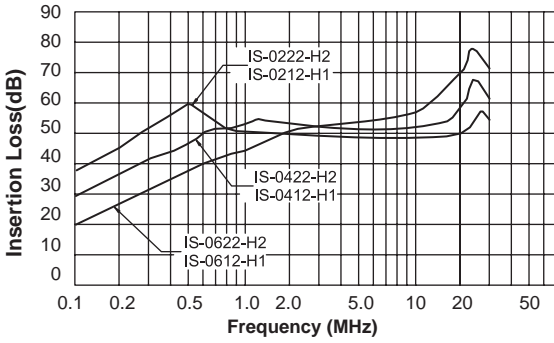
* General tolerance : ± 0.5

* Unit : mm

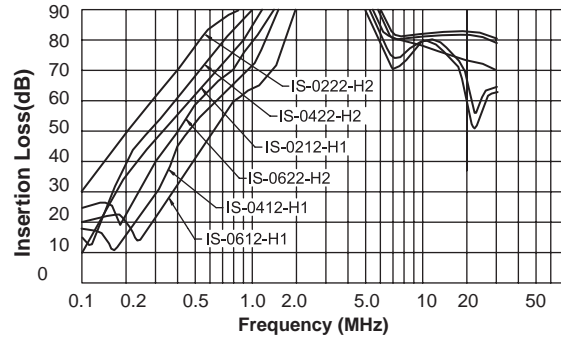
* Metal Case

Attenuation Characteristics

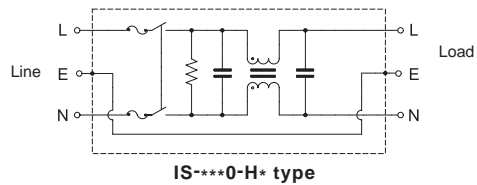
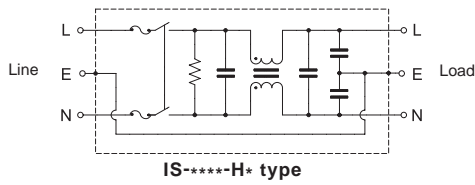
● Common Mode (IS-02/04/06*2-H*)



● Differential Mode (IS-**22-H2)



● Circuit Diagram



● Measurement configuration

