

# CHOKE COIL

## LB/LDB/LE



### FEATURES

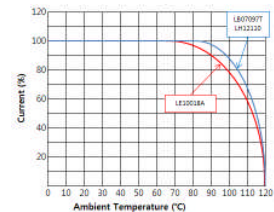
- Miniature general type.
- Excellent filtering characteristics for differential mode.
- Compact size.

### APPLICATIONS

- Digital equipments.
- For use in miniature equipments.
- Various types of electronics equipment.

### SPECIFICATIONS

Model	Rated Voltage (AC,DC)	Rated Current	Inductance (uH)	Temperature Rise (°C) max	Operating Temperature(°C)
LB07097T	250V	3A	97	55°C max.	-25°C to +120°C including temperature rise. (LB07097T, LH12110)
LDB12120	250V	5.5A	120	55°C max.	-40°C to +120°C including temperature rise. (LE10018A)
LE10018A	250V	6A	18.3	40°C max.	



Note:

Test Voltage : 2000V AC one minute, line to core.

Insulation Resistance : 300 Mohm min. at 500V DC.

Weight: LB07097T: 10g , LDB12120: 21.4g , LE10018A: 8g

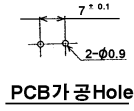
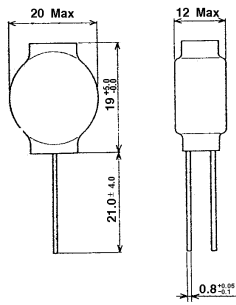
Voltage Drop : 1.0V max.

### Model Number Construction

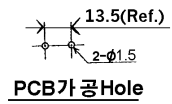
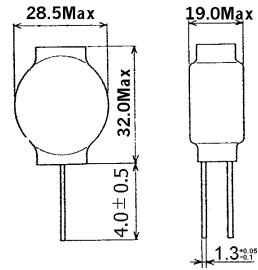
LB	07	097
Series Description	Dia. of Copper Wire 07 : @0.7mm 12 : @1.2mm 10 : @1.0mm	Rated Inductance :See Specifications Inductance

# Shapes and Dimensions

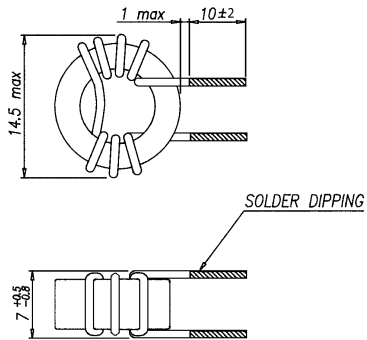
**LB07097T**



**LDB12120**



**LE10018A**



## ●Circuit Diagram

