

COMMON MODE CHOKE COIL

LS3/LH3 SERIES



FEATURES

- Excellent frequency characteristics.
- Use of insulating material having superior flame resistance
- Available either vertical mounting type, or horizontal mounting type.

APPLICATIONS

- Personal computers and peripherals.
- Digital equipments.
- Switching power sources, and switching power supply.
- Prevention of noise emitted from VCCI, FCC, CISPR and VDE.
- Various types of electronic equipment.

SPECIFICATIONS

Model	Rated Voltage (AC,DC)	Rated Current (A)	Inductance (mH)	Temperature Rise (°C) max	Operating Temperature
LS/LH314164	250V	6.5	16.4	50	<p>25°C to + 120°C Including temperature rise</p>
LS/LH315118	250V	8.0	11.8	50	
LS/LH316100	250V	9.0	10.0	50	
LS/LH316148	250V	13.0	4.8	55	
LS/LH317071	250V	10.5	7.1	50	
LS/LH318062	250V	11.0	6.2	50	
LS/LH319024	250V	15.0	2.4	35	
LS/LH319046	250V	13.0	4.6	50	
LS/LH320038	250V	14.0	3.8	50	
LS/LH321015	250V	20.0	1.5	40	
LS/LH321028	250V	15.5	2.8	50	
LS/LH322020	250V	19.0	2.0	50	
LS/LH323017	250V	20.0	1.7	50	

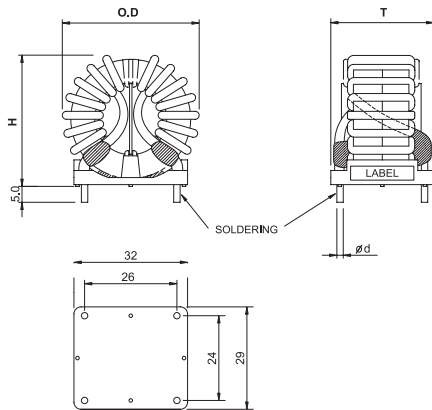
Note : All types are designed to meet the requirement of UL 1283, CSA 22.2, IEC 60939.
 Test Voltage : 2000V AC one minute, line to line.
 Insulation Resistance : 300 Mohm min. at 500V DC.
 Voltage Drop : 1.0V max

■ Model Number Construction

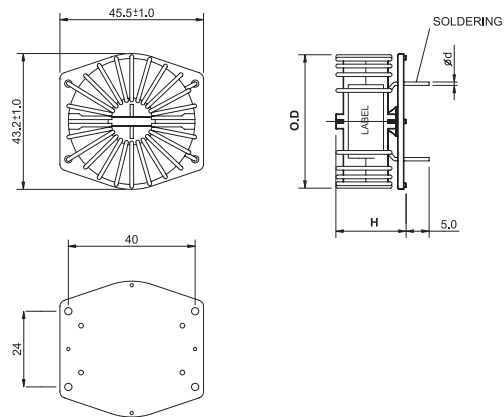
LS3	14	164
Series Description LS3:Vertical Type LH3:Horizontal Type	Dia. of Copper Wire See shapes and Dimensions next page	Rated Inductance See Specifications Inductance

Shapes and Dimensions

* LS3-Series



* LH3-Series



* General tolerance : ± 1.5
* Unit : mm

Model	O.D(max)	H(max)	T(max)	ϕd
LS314164	50	49	33	1.4
LS315118	50	49	33	1.5
LS316100	50	49	33	1.6
LS316148	50	49	33	1.6
LS317071	50	49	33	1.7
LS318062	50	49	33	1.8
LS319024	50	49	33	1.9
LS319046	50	49	33	1.9
LS320038	50	49	33	2.0
LS321015	50	49	33	2.1
LS321028	50	49	33	2.1
LS322020	50	49	33	2.2
LS323017	50	49	33	2.3

Model	O.D(max)	H(max)	ϕd
LH314164	50	33	1.4
LH315118	50	33	1.5
LH316100	50	33	1.6
LH316148	50	33	1.6
LH317071	50	33	1.7
LH318062	50	33	1.8
LH319024	50	33	1.9
LH319046	50	33	1.9
LH320038	50	33	2.0
LH321015	50	33	2.1
LH321028	50	33	2.1
LH322020	50	33	2.2
LH323017	50	33	2.3

Circuit Diagram

