

COMMON MODE CHOKE COIL

LC4/LS4 SERIES



FEATURES

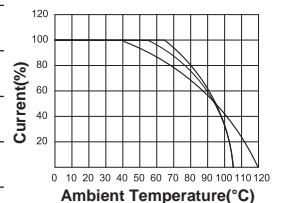
- Miniature general purpose PCB mounting type.
- Require small space of PCB.
- Excellent frequency characteristics.
- Compact, and provides a large inductance
- Use of insulating material having superior flame resistance.
- Available either vertical mounting type or horizontal mounting type.

APPLICATIONS

- Personal computers and peripherals.
- Digital equipments.
- For use in miniature equipments.
- For TV, VCR, monitors and display units.
- Switching power sources and switching power supply adapters.
- Various types of electronic equipment.

SPECIFICATIONS

Model	Rated Voltage (AC,DC)	Rated Current (A)	Inductance (mH)	Temperature Rise (°C) max	Operating Temperature
LC/LS403110	250V	1.0	11.0	40	-25°C to + 105°C (LC4, LS4 Series) -25°C to + 120°C (LS4M Series) Including temperature rise
LC/LS404060	250V	1.6	6.0	40	
LC/LS405024	250V	2.4	2.4	40	
LC/LS406012	250V	3.6	1.2	40	
LS404060N	250V	1.6	6.0	50	
LS404071N	250V	2.0	7.1	50	
LS404110N	250V	1.4	10.0	50	
LS404115N	250V	1.4	11.5	50	
LS405100N	250V	2.0	10.0	50	
LS403150M	250V	1.2	15.0	80	
LS403110M	250V	1.3	11.0	80	
LS404110M	250V	2.0	10.0	80	
LS404060M	250V	2.3	6.0	80	
LS405024M	250V	3.6	2.4	80	
LS406012M	250V	5.0	1.2	80	



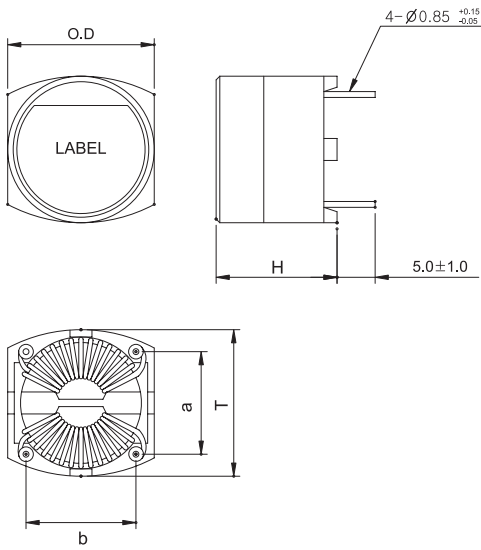
Note : All types are designed to meet the requirement of UL 1283, CSA 22.2, IEC 60939.
 Test Voltage : 2000V AC one minute, line to line.
 Insulation Resistance : 300 Mohm min. at 500V DC.
 Voltage Drop : 1.0V max

■ Model Number Construction

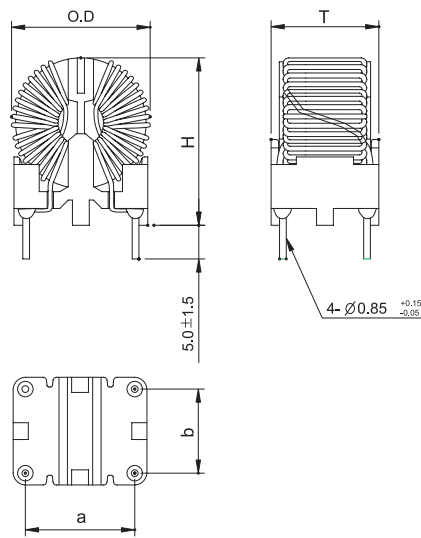
LS4	03	110	M
Series Description LS4:Vertical Type LC4:Horizontal Type	Dia. of Copper Wire See shapes and Dimensions next page	Rated Inductance See Specifications Inductance	Stand Type See shapes and Dimensions next page

Shapes and Dimensions

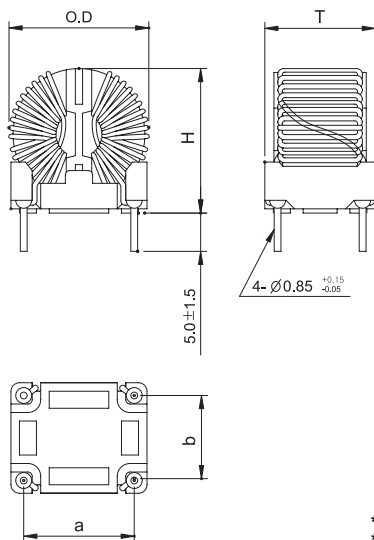
LC4-Series



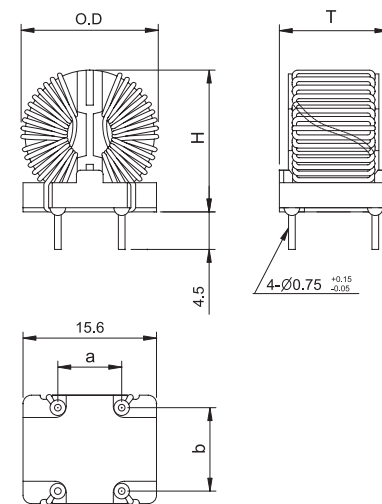
LS4-Series



LS4 M-Series



LS4 N-Series



* General tolerance : ±0.5
* Unit : mm

Model	O.D(max)	H(max)	T(max)	a	b
LC4****	20	17.0	20	14.0	15.0
LS4****	19	21.0	13	13.0	10.0
LS4****M	19	18.5	13	13.0	10.0
LS4****N	19	18.5	13	7.0	10.0

Circuit Diagram

