

EMI/EMC FILTER

PC2/PC3/PC4 SERIES



FEATURES

- Unique structure and economical.
- Suitable for the products that must conform to FCC, FTZ.
- Very good filtering characteristics for both differential mode and common mode.
- Epoxy molded for reliability.

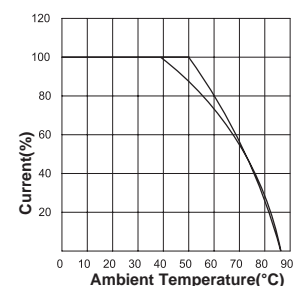
APPLICATIONS

- Digital equipments.
- Medium capacity UPS.
- Measuring instruments and medical instruments.
- Facsimile, copy machines, OA instruments.
- Computerized washing machines, refrigerators and ranges.

SPECIFICATIONS

Model	Rated Voltage (AC,DC)	Rated Current	Temperature Rise(max.)		Operating Temperature
			1	*2	
PC2, PC3, PC4-F05	250V	5A	45°C	30°C	-25°C to + 85°C Including temperature rise ※ Fig.1
PC2, PC3, PC4-F08	250V	8A	45°C	30°C	
PC2, PC3, PC4-F10	250V	10A	45°C	30°C	
PC2, PC3, PC4-F15	250V	15A	45°C	30°C	

Note : Test Voltage : 1500V AC one minute, line to earth.
 Insulation Resistance : 300 Mohm min. at 500V DC.
 Leakage Current : 0.5mA max.
 Voltage Drop : 1V max. at rated current.
 Weight : PC2 series : 90g, PC3 and PC4 series : 86g
 Discharge Time : 0.4 sec. max.
 *2 : Temperature rise when mounted on 200mm × 200mm × t : 1.0mm steel chassis.

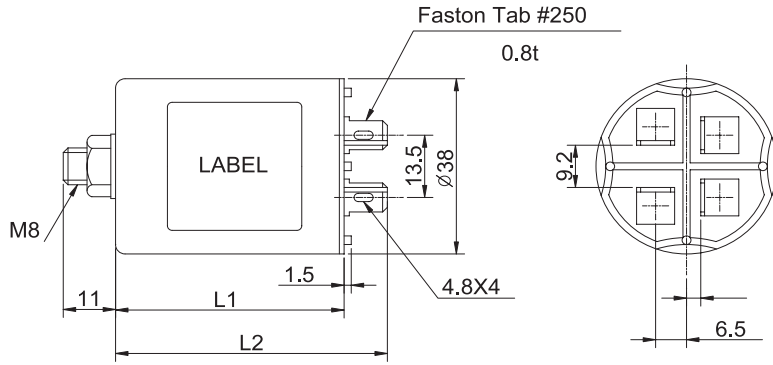


※ Fig.1

■ Model Number Construction

PC	2	F	05
Series Description	Circuit: See Circuit Diagram next page Cylinder Height 2 : 48mm 3 : 40mm 4 : 40mm	Input/Output Terminal Style F : Faston Tab #250	Current Rating : AC rms 05 : 5 amp 08 : 8 amp 10 : 10 amp 15 : 15 amp

Shapes and Dimensions

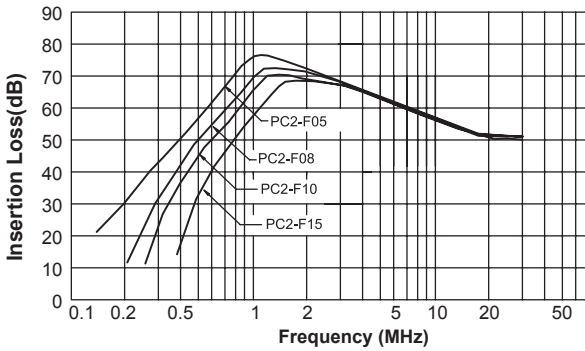


Type	Length	
	L1	L2
PC2	48	57
PC3, PC4	40	49

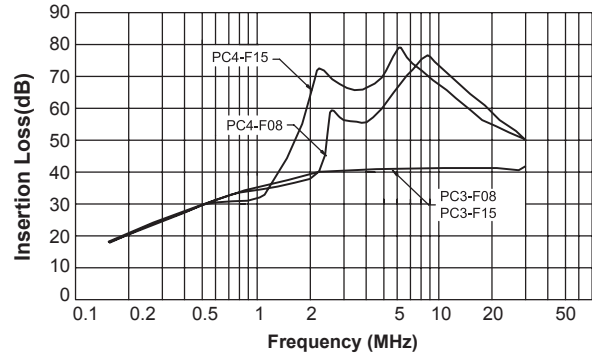
* General tolerance : ± 1.5
 * Unit : mm
 * Aluminum Case

Attenuation Characteristics

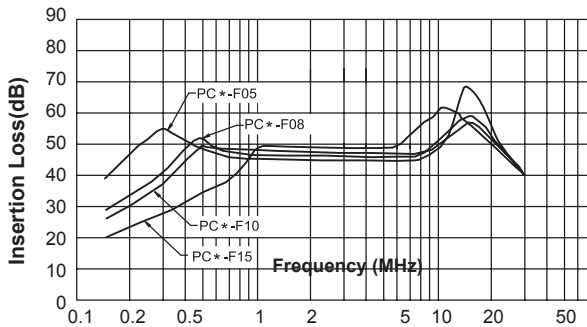
● PC2 Differential Mode



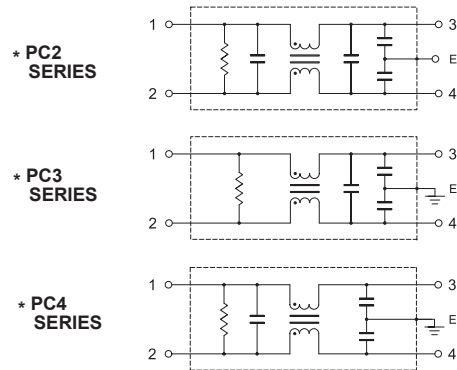
● PC3, PC4 Differential Mode



● PC * Common Mode



● Circuit Diagram



● Measurement configuration

