

# EMI/EMC FILTER

## SW3 SERIES



### FEATURES

- Suitable for the products that must conform to FCC, FTZ.
- Very good filtering characteristics for both differential mode and common mode.
- Epoxy molded for reliability.
- Bidirectional structure effective for both noise from outside and internally generated.

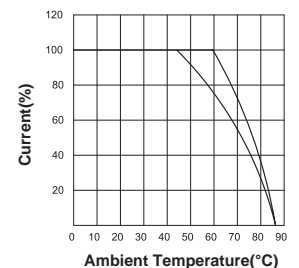
### APPLICATIONS

- Digital equipments.
- Medium capacity UPS.
- Measuring instruments.
- For equipment requiring very high impulse attenuation.
- Suitable for FA equipments.
- OA equipments like copy machine.
- Air conditioning equipment.

### SPECIFICATIONS

Model	Rated Voltage (AC,DC)	Rated Current	Leakage Current (250V AC)	Temperature Rise		Operating Temperature
				1	*2	
SW3-F12-4,5	250V	12A	0.50mA max.	40°C max.	25°C max.	-25°C to + 85°C Including temperature rise ※ Fig.1
SW3-F12-42,52			0.35mA max.			
SW3-F15-4,5	250V	15A	0.50mA max.	40°C max.	25°C max.	
SW3-F15-42,52			0.35mA max.			
SW3-F20-4,5	250V	20A	0.50mA max.	40°C max.	25°C max.	
SW3-F20-42,52			0.35mA max.			

Note : Test Voltage : 1500V AC one minute, line to earth.  
 Insulation Resistance : 300 Mohm min. at 500V DC.  
 Voltage Drop : 1V max. at rated current.  
 Weight : 180g.  
 \*2 : Temperature rise when mounted on  
 250mm × 250mm × t: 1.0mm steel chassis.



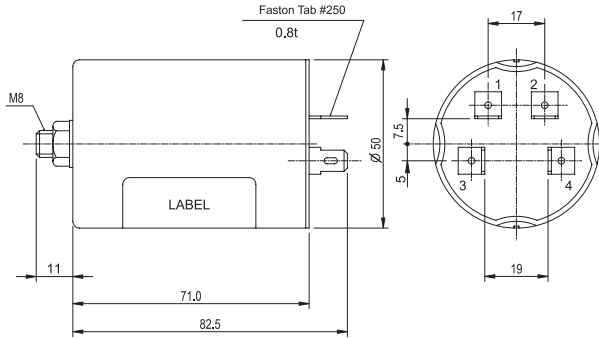
※ Fig.1

#### ■ Model Number Construction

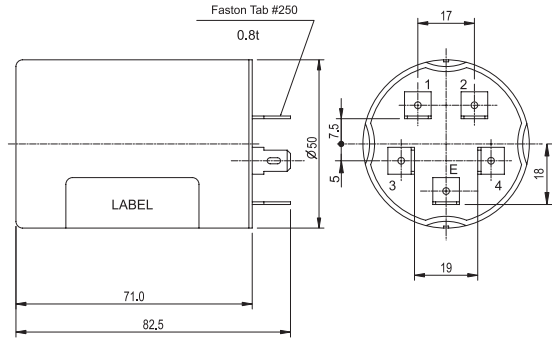
SW3	F	12	4	2
Series Description	Input/Output Terminal style F:Faston Tab #250	Current Rating: AC rms 12 : 12 amp 15 : 15 amp 20 : 20 amp	Number of Terminal 4:4 Faston Tab (Earth Terminal:M8) 5:5 Faston Tab (Including Earth Tab)	Line-Gnd. Cap. Value None : 3300 pF 2 : 2200 pF

# Shapes and Dimensions

## SW3-F \*\* - 4 \* type



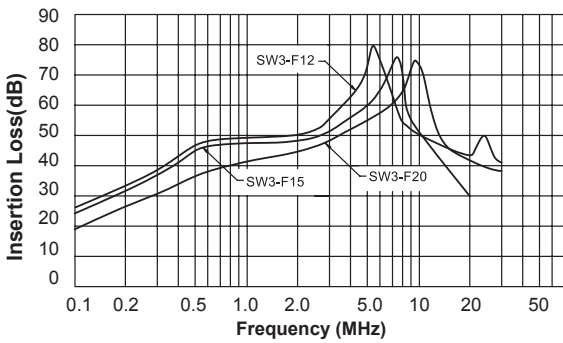
## SW3-F \*\* - 5 \* type



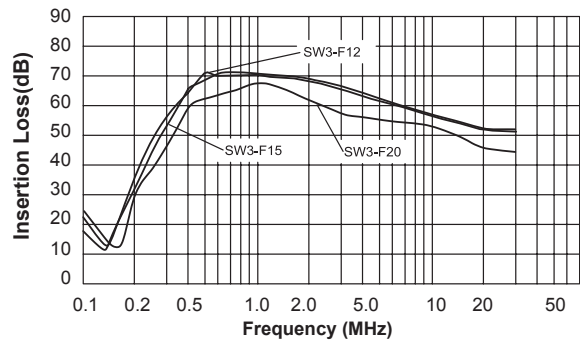
- \* General tolerance :  $\pm 1.5$
- \* Unit : mm
- \* Aluminum Case

# Attenuation Characteristics

### ● Common Mode

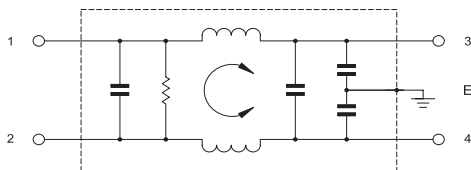


### ● Differential Mode

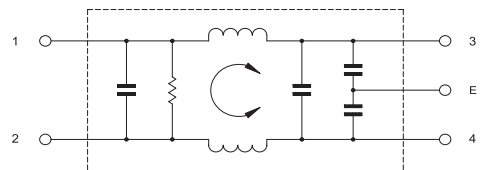


### ● Circuit Diagram

SW3-F\* - 4 \*



SW3-F\* - 5 \*



### ● Measurement configuration

