

PIEZOCERAMIC

Plates



FEATURES

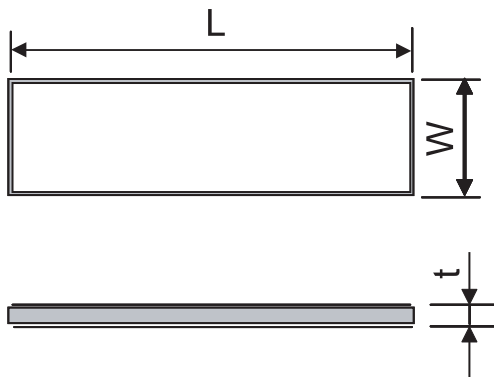
- Low loss piezoceramics
- High ultrasonic power
- Good temperature stability

APPLICATIONS

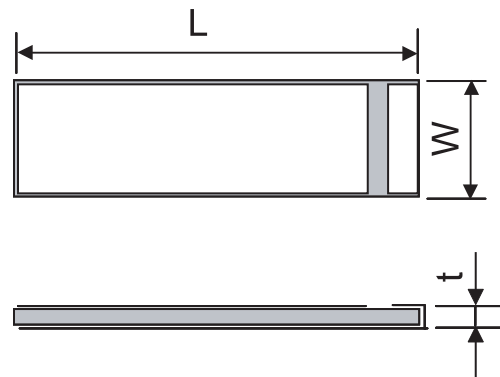
- High power ultrasonic cleaners

Shape&Dimensions

UP-series



MP-series



- * Materials, patterns of electrical termination and the thickness shall be set to customers requirement.
- * Maximum size: L=180mm