

PIEZOCERAMICS

Rings



FEATURES

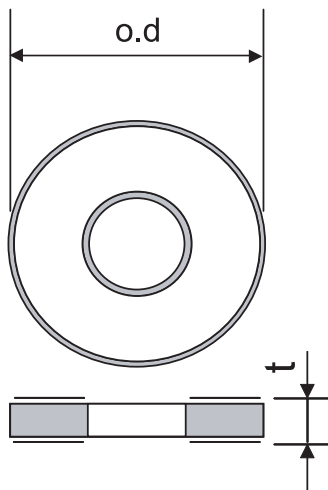
- Low loss piezoceramics
- High ultrasonic power
- Good temperature stability

APPLICATION

- High power ultrasonic generators
- ultrasonic welder

Shape&Dimensions

UR-series



Model	o.d.[mm]	i.d.[mm]
UR-10	10	5
UR-15	14.5	6.9
UR-20	20	11
UR-25	25	10
UR-30	30	15
UR-35	35.3	15
UR-38	38	15
UR-50	50	23

* Materials,patterns of electrical termination and the thickness shall be set to customers requirement.

* Other sizes are also available.